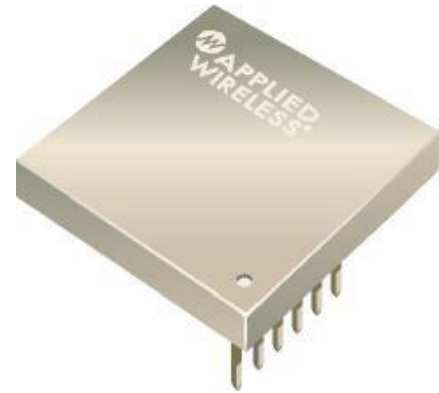
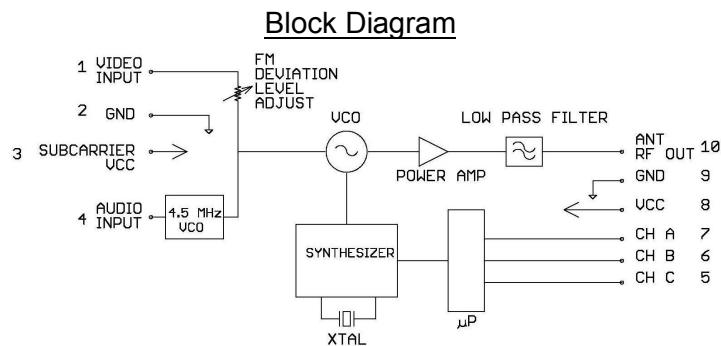


**902 to 928 MHz
3-Channel
FM Audio/Video Transmitter Module**



Designed for long-range wireless video (with audio) applications. Available in two versions; the T900AV-3A (up to 500 ft¹) conforms to FCC Part 15 requirements for unlicensed use. T900AV-3B has higher power output and may only be used for police or military (or other government agency) applications. This module generates very high quality FM video modulation for exceptional color fidelity and image resolution. An internal filter attenuates harmonics to levels ensuring compliance with FCC spurious emissions requirements and is crystal controlled for excellent frequency stability. No tuning or external components are required. The channels are spaced to allow multiple channel operation in an area. The module is packaged in an RFI/EMI shielded enclosure. Use with R900AV-3 receiver module.



Features

- 3-Channel Selection
- 1 mW (“A” version) or 90mW (“B” version¹) Output
- 75 Ohm NTSC Input
- Crystal Reference
- Line Level Audio Input
- 4.5 MHz FM Audio Subcarrier

Ordering Information

Model	RF Output Power	Frequency (MHz)	Matching Receiver Module
T900AV-3A	1mW	907 / 915 / 923	R900AV-3
T900AV-3B*	90mW	907 / 915 / 923	R900AV-3

* Available only to qualified purchasers for government, military and/or law enforcement applications.

¹ Unobstructed outdoor line of sight conditions, low power “A” version (1mW), when used with R900AV-3 and quarterwave antenna with groundplane. Higher-power “B” version (90mW) can provide greater range, up to 1,000 feet under same operating conditions. Range can be significantly increased by using a directional antenna (such as a flat panel or Yagi) at the receiver. See our website for antenna options.

Specifications subject to change without notice or obligation.

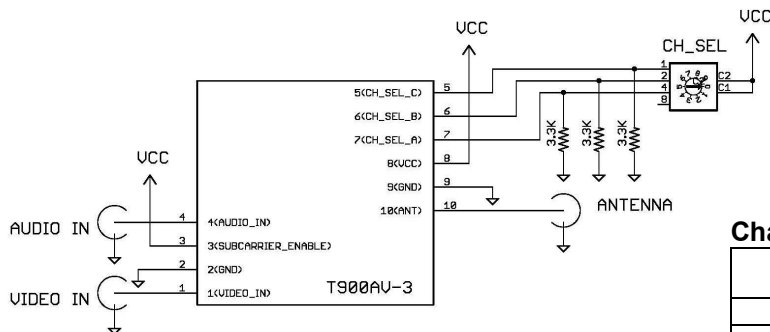
Electrical Characteristics

Sym	Parameter	Min	Typ	Max	Unit
VCC	Operating Voltage Range	4.75		5.25	Volts
Icc	Operating Current (at VCC=3V & Din=3V)		110		mA
	Video Frequency Response	.5 Hz		5 MHz	
SNR	Signal to Noise Ratio		60		dB
	FM Deviation @ 1V P-P Input		+/-3		MHz
	Audio Subcarrier		4.5		MHz
	Audio Subcarrier Deviation		+/-25		kHz
	Audio Input Impedance		5k		Ohms
DG	Differential gain Error			3% p-p	
DP	Differential Phase Error			3% p-p	
Z _{out}	Antenna Output Impedance		50		Ohms
	Harmonic Suppression		-45		dBc
T _{op}	Operating Temperature	-20		+70	C

Maximum Ratings

Sym	Parameter	Value	Unit
VCC	DC Supply Voltage	-0.5 to +7.0	Volts
	Channel Select	-0.5 to VCC	Volts
T _{stg}	Storage Temperature	-50 to +150	C

Application Circuit



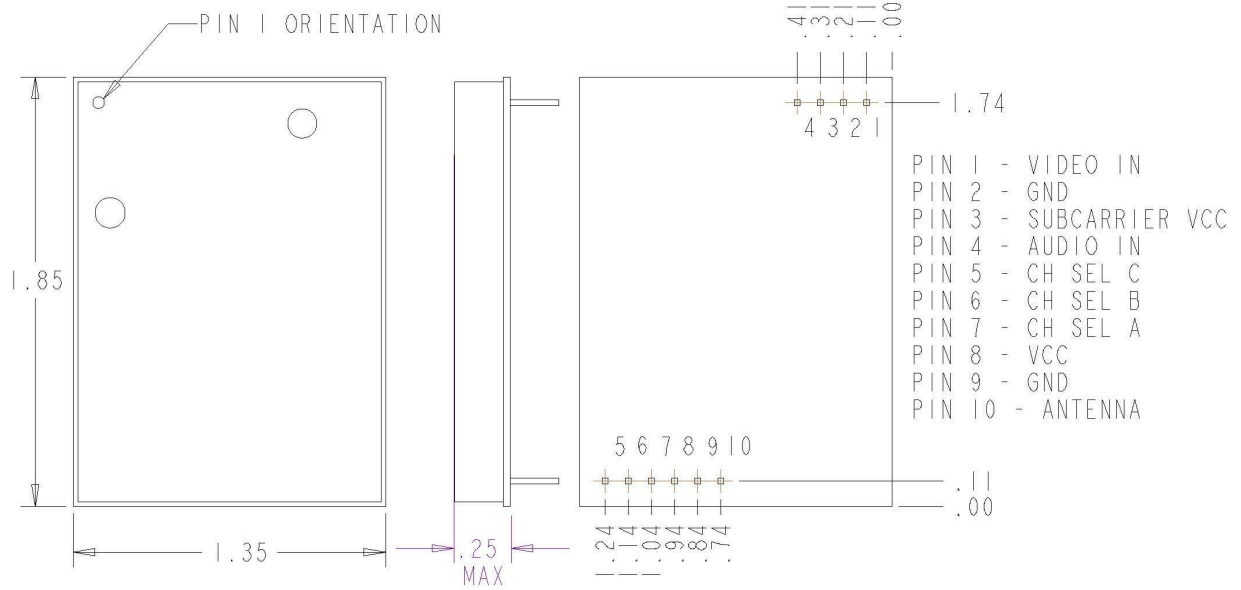
Channel Select Table

Ch Select (pinout)	A (pin 7)	B (pin 6)	C (pin 5)
907	0	0	Vcc
915	0	Vcc	0
923	0	Vcc	Vcc

Any conditions other than the above for A, B and C will result in the 907 MHz condition.

T900AV-3

Package Dimensions



Specifications subject to change without notice or obligation.

www.appliedwireless.com • Tel: (805) 383-9600 • Fax (805) 383-9001

Revised 10/08/2008